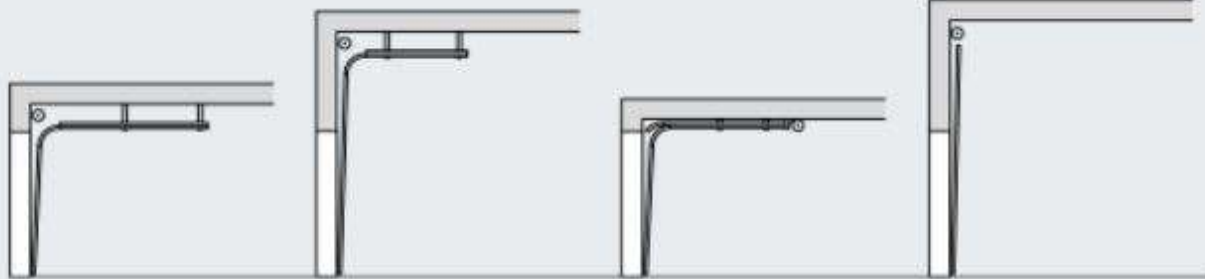


Track applications that fit precisely to the building

Whichever door type you have selected for your building: At Hörmann, you will find the track application to match your door. Depending on the building architecture and requirement, you can choose between standard and low headroom track applications, low headroom track applications or inclined track applications.



Track application N
Normal track application

Track application H
High-lift track application

Track application L*
Low headroom track application

Track application V
Vertical track application



Track application ND
With inclination

Track application HD
With inclination

Track application LD*
With inclination

Track application VU
With low-mounted spring shaft

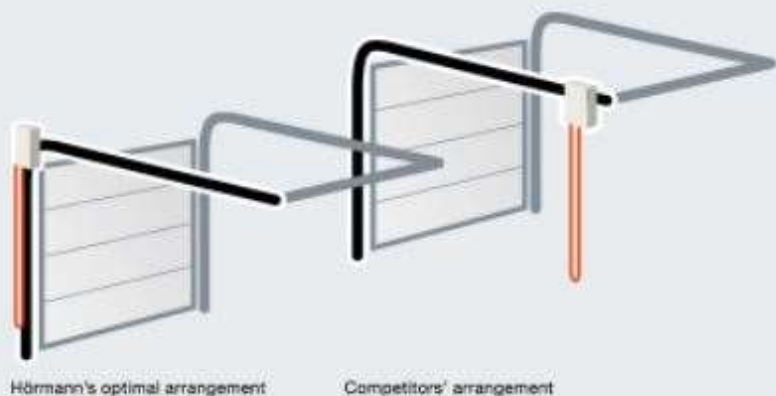
Please see the valid technical manual for all of the available track applications.

* Not for sectional door with 67 mm depth



The low headroom track application

Operator and chain are directly on the door. An unsightly and potentially hazardous chain no longer dangles down. It pays to compare!



Hörmann's optimal arrangement

Competitors' arrangement